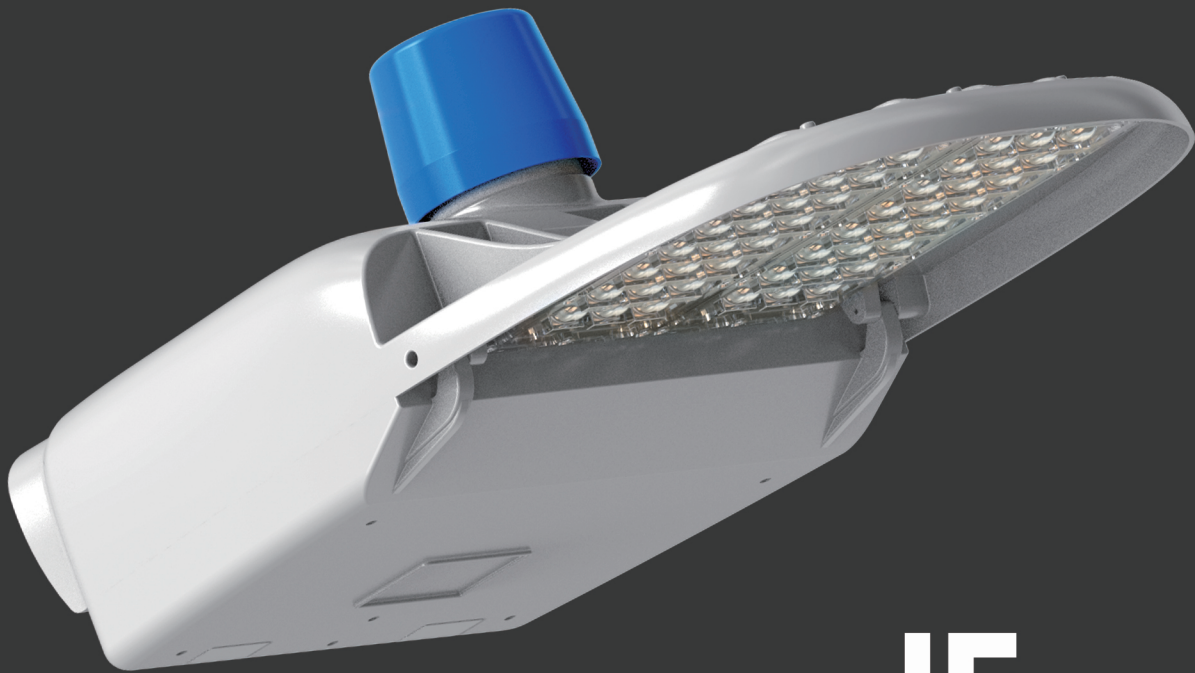




Quality, Honesty, Service and Innovation



IE -SERIES

LED STREET LIGHT

UP TO **1200W REPLACEMENT**

● POWER: 18W-260W

**EXPERTS WITH
PROFESSIONAL SOLUTION**

WWW.AOKLEDLIGHT.COM

IE SERIES

CONSTRUCTION

- Heavy-duty die-cast aluminum housing and door.
- Tool-less entry hinged removable door for easy maintenance.
- Bubble level located inside the electrical compartment for easy leveling at installation.
- UV stabilized polyester powder paint finish for durability and corrosion resistance.
- Mounting has leveling adjustment from -10° to +5° in 2.5° steps.
- 3G vibration rated.

LED

- Hi-fux/Hi-power white LEDs produce a minimum of 90% of initial intensity at 100,000 hours of life based on IES TM-21 (L90=100k hours).
- LEDs are tested in accordance with IESLM-80 testing procedures and ROHS compliant, 100% mercury and lead free.
- Available in 3000K, 4000K, 5000K, 5700K or 6500K CCT
- Minimum CRI of 70, 80 or 90 optional,



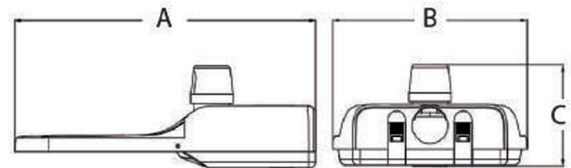
LISTINGS / CERTIFICATES

- Luminaires are UL listed for use in wet locations in the United States and Canada.
- "Design Lights Consortium" qualified product. Consult DLC QPL for Standard and Premium Classification Listings
- International Dark Sky Association listed
- Luminaire is qualified to operate at ambient temperatures of -40 °C to 50 °C.

LISTINGS / CERTIFICATES

- 3-wire photocontrol receptacle is standard
- ANSI C13641 7-wire(PCR7) photocontrol receptacle is available.
- All photo control receptacles have toolless rotatable base
- Wireless control module is provided by others

FIXTURE DIMENSIONS



WATTS	A	B	C
AOK-18WIE	458mm	241mm	115mm
AOK-26WIE	458mm	241mm	115mm
AOK-35WIE	458mm	241mm	115mm
AOK-55WIE	458mm	241mm	115mm
AOK-72WIE	493mm	314mm	115mm
AOK-82WIE	493mm	314mm	115mm
AOK-110WIE	493mm	314mm	115mm
AOK-115WIE	570mm	366mm	115mm
AOK-150WIE	570mm	366mm	115mm
AOK-190WIE	570mm	366mm	115mm
AOK-200WIE	639mm	366mm	115mm
AOK-260WIE	639mm	366mm	115mm

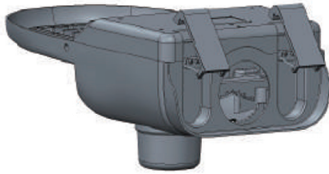
CERTIFICATIONS/LISTINGS



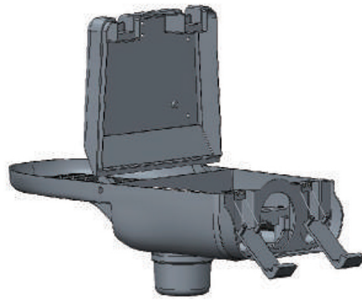
ORDERING INFORMATION

AOK	-	-	-	-	-	-	-	-
WATTS	VOLTAGE	LED CHIPS	TYPE OF SENSOR	CCT&CRI	DISTRIBUTION	HOUSING	OPTIONS	
18WIE	NV=100-277V	Nichia 319	00= Without sensor	3070=3000K 70CRI	T2 = Type II Medium	CG= Cool Gray 6U	SP=20KVSPD	
26WIE	HV=347V/480V		SN= Motion sensor	4070=4000K 70CRI	T3 = Type II Medium		R3= 3Pin receptacle	
35WIE			PH= Photocell	5070=5000K 70CRI	T4 = Type IV Medium		R7=7pin receptacle	
55WIE			DV=Dimmable	5770=5700K 70CRI				
72WIE				6570=6500K 70CRI				
82WIE				3080=3000K 80CRI				
110WIE				4080=4000K 80CRI				
115WIE				5080=5000K 80CRI				
150WIE				5780=5700K 80CRI				
190WIE				6580=6500K 80CRI				
200WIE								
260WIE								

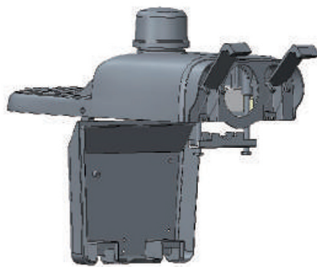
LUMINAIRE INSTALLATION



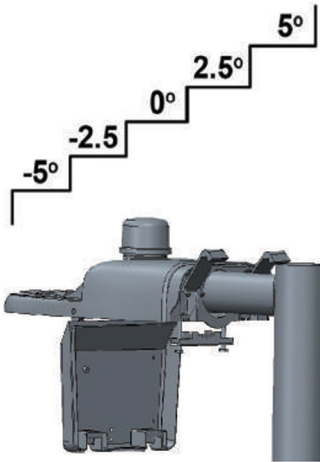
Step 1-Open the button



Step 2-Open the power chamber cover.



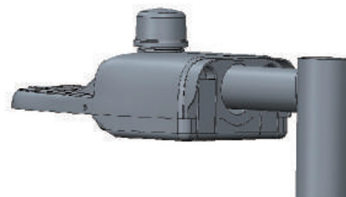
Step 3-Loosen the slip-fitter bracket bolts and insert the mounting arm.



Step 4-Insert the pole and adjust the angle as needed.



Step 5-Tighten the screw to fix the lamp on the lamp pole.



Step 6-Close the power compartment cover button.

Step 7-Wiring, connect the L, N, GND wires on the lamp to the corresponding L, N, GND cables on the pole.

ELECTRICAL

- Standard universal voltage (100 240/277Vac) input, 50/60Hz, 347/480V optional.
- L90 calculated life: 50,000+ hours.
- 0-10V/PMW/Timer dimming, 3 Timer Modes, Dim-to-Off with Standby Power≤0.5W.
- Power supply features a minimum power factor of 90 and <20% Total Harmonic Distortion (THD).
- EMC meets or exceeds FCC CFR Part 15.
- Terminal block accommodates 6 to 14 gauge wire and is aligned for straight wire entry.
- Surge protection complies with IEEE/ANSI C62.41 Category C High, 20kv/ 10KA and ANSI C136.2-2015,20kv/10kA.

OPTICAL SYSTEM

- Precision engineered lenses made of optical grade Mitsubishi polycarbonate for maximum light intensity.
- Micro-lens systems produce IESNA Type 2 Medium, Type 3 Medium, Type 4 Medium distributions. Luminaire produces 0% total lumens above 90°(BUG Rating, U=0).
- Delivers improved visual comfort by lower glare and providing a wider smoother and more uniform light output.
- Optical systems maintain an IP66 rating.
- Optional house side shield cuts light off at 1/2 mounting height behind luminaire
- Shields are field installable without tools.

MOUNTING ACCESSORIES

(Order separately, field installed)



Aluminum Glare/ House Side shield, hardware includes



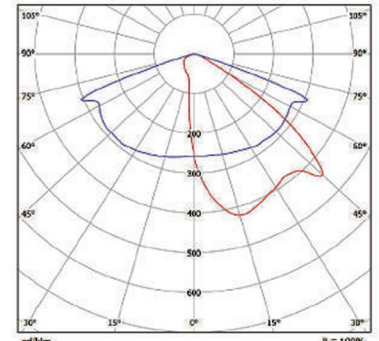
Wire Guard, stainless steel construction, hardware includes

TYPE II MEDIUM DISTRIBUTION

Wattage	BUG Rating	Road Utilization Rate	Replace MHL	3000K/70CRI	4000K/70CRI	5000K/70CRI	5700K/70CRI
				Initial Delivered Lumens			
18W	B0-U0-G0	87%	50W	2285	2291	2347	2350
26W	B1-U0-G1	87%	70W	3469	3483	3494	3514
35W	B1-U0-G1	87%	100W	4572	4684	4744	4806
55W	B1-U0-G2	87%	150W	6406	6506	6724	6739
72W	B1-U0-G2	87%	200W	8897	8970	9273	9383
82W	B1-U0-G2	87%	250W	10197	10256	10641	10656
110W	B2-U0-G2	87%	300W	13702	13787	13896	13960
115W	B2-U0-G2	87%	300W	15193	15296	15515	15624
150W	B2-U0-G2	87%	400W	18615	18808	18821	19112
190W	B2-U0-G2	87%	500W	22244	22324	22728	22855
200W	B2-U0-G2	87%	500W	24477	24711	25624	25808
260W	B2-U0-G2	87%	750W	31820	32124	33311	33550

All published Luminaire photometric testing performed to IESNA LM-79-08 standards by a NVLAP accredited Laboratory.

LUMINOUS EMITTANCE 1:



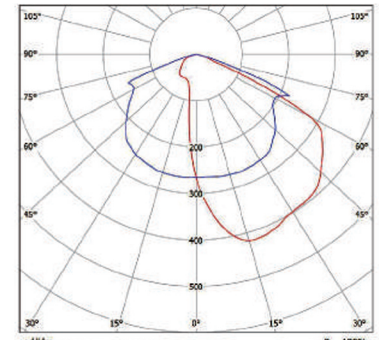
Due to missing symmetry properties, no UGR table can be displayed for this luminaire.

TYPE III MEDIUM DISTRIBUTION

Wattage	BUG Rating	Road Utilization Rate	Replace MHL	3000K/70CRI	4000K/70CRI	5000K/70CRI	5700K/70CRI
				Initial Delivered Lumens			
18W	B0-U0-G1	88.50%	50W	2285	2291	2347	2350
26W	B1-U0-G1	88.50%	70W	3469	3483	3494	3514
35W	B1-U0-G1	88.50%	100W	4572	4684	4744	4806
55W	B1-U0-G1	88.50%	150W	6406	6506	6724	6739
72W	B1-U0-G2	88.50%	200W	8897	8970	9273	9383
82W	B1-U0-G2	88.50%	250W	10197	10256	10641	10656
110W	B2-U0-G2	88.50%	300W	13702	13787	13896	13960
115W	B2-U0-G2	88.50%	300W	15193	15296	15515	15624
150W	B2-U0-G2	88.50%	400W	18615	18808	18821	19112
190W	B2-U0-G3	88.50%	500W	22244	22324	22728	22855
200W	B2-U0-G3	88.50%	500W	24477	24711	25624	25808
260W	B3-U0-G3	88.50%	750W	31820	32124	33311	33550

All published Luminaire photometric testing performed to IESNA LM-79-08 standards by a NVLAP accredited Laboratory.

LUMINOUS EMITTANCE 1:



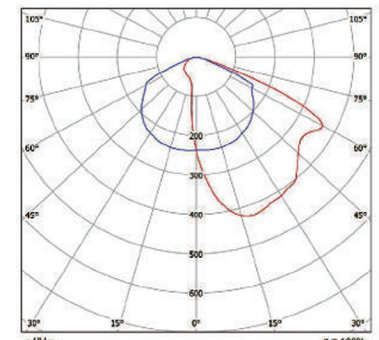
Due to missing symmetry properties, no UGR table can be displayed for this luminaire.

TYPE IV MEDIUM DISTRIBUTION

Wattage	BUG Rating	Road Utilization Rate	Replace MHL	3000K/70CRI	4000K/70CRI	5000K/70CRI	5700K/70CRI
				Initial Delivered Lumens			
18W	B0-U0-G1	87.90%	50W	2285	2291	2347	2350
26W	B1-U0-G1	87.90%	70W	3469	3483	3494	3514
35W	B1-U0-G1	87.90%	100W	4572	4684	4744	4806
55W	B1-U0-G1	87.90%	150W	6406	6506	6724	6739
72W	B1-U0-G2	87.90%	200W	8897	8970	9273	9383
82W	B1-U0-G2	87.90%	250W	10197	10256	10641	10656
110W	B2-U0-G2	87.90%	300W	13702	13787	13896	13960
115W	B2-U0-G2	87.90%	300W	15193	15296	15515	15624
150W	B2-U0-G3	87.90%	400W	18615	18808	18821	19112
190W	B2-U0-G3	87.90%	500W	22244	22324	22728	22855
200W	B2-U0-G3	87.90%	500W	24477	24711	25624	25808
260W	B3-U0-G4	87.90%	750W	31820	32124	33311	33550

All published Luminaire photometric testing performed to IESNA LM-79-08 standards by a NVLAP accredited Laboratory.

LUMINOUS EMITTANCE 1:



Due to missing symmetry properties, no UGR table can be displayed for this luminaire.