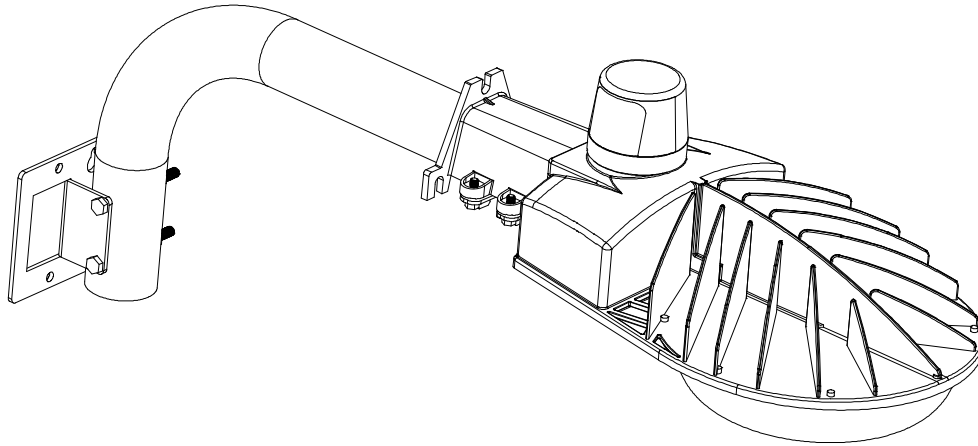


LED Street Light Installation Instruction



Please read the installation manual carefully before installation and keep the manual for future use.



Warning

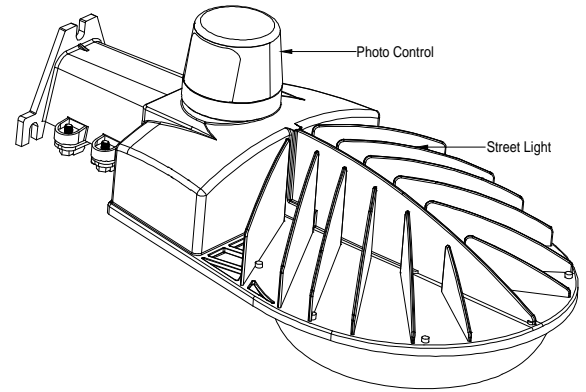
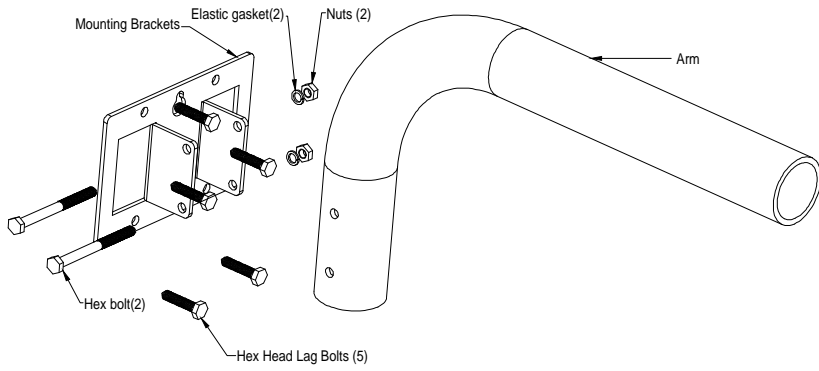
1. Electrician must have related certificates, knowledge and working experience. The work must be assigned to each electrician based on their position and responsibility.
2. The lens of parking lot lights modules are PC material, which will be scratched if handled carelessly. They must be protected and handled carefully during installation. When the face of luminaires is put downward, it must be protected with soft cloth or other protecting materials.
3. Installation must be proceeded when the electricity is shut off, no action be taken when there is electricity connected.
4. Construction must be proceeded according to related regulations, including the tools and equipments used. For example: working voltage range, Warning sign, flashing lamp, helmet, and working clothes etc.
5. Make sure the weather is suitable for high power electricity work when proceed construction.



Statement

1. The crane used to install the parking lot light must come with lifting platform, warning signs and flash lamp etc.
2. Electric power must be cut off before installation or maintenance of Parking Lot Light.
3. Maintenance must be performed by professional staff.

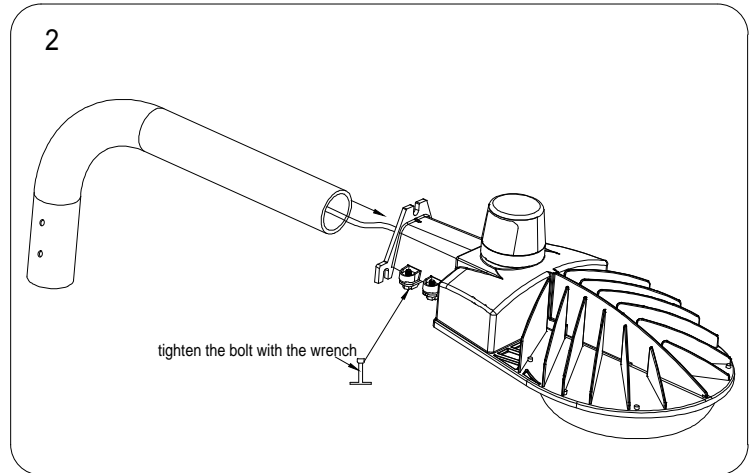
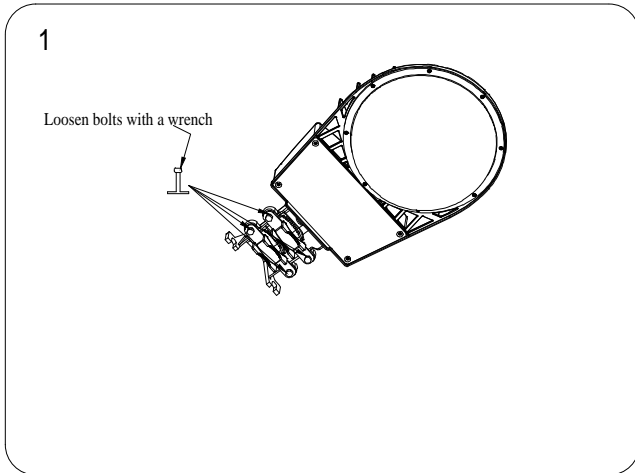
Product parts include introduction



Preparation for installation of LED street light

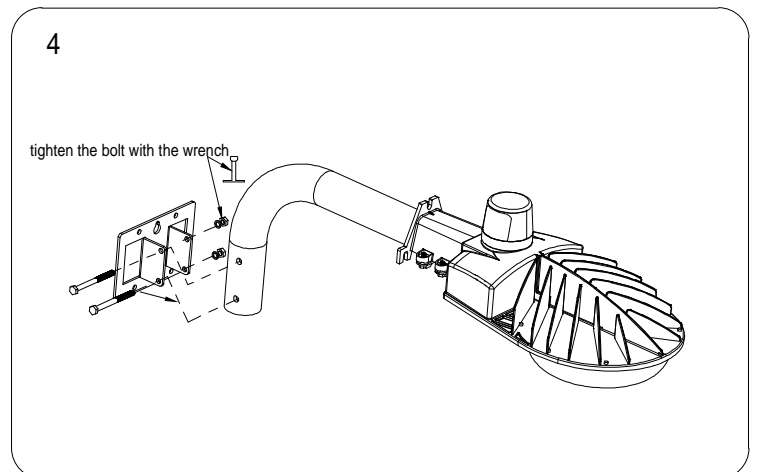
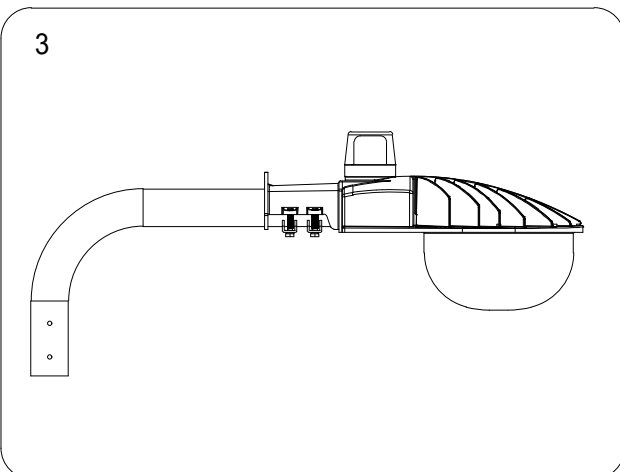
Step 1: Loosen bolts with a wrench and use 4N-M torque.

Step 2: Insert the arm into the lamp body and tighten the bolt with the wrench.



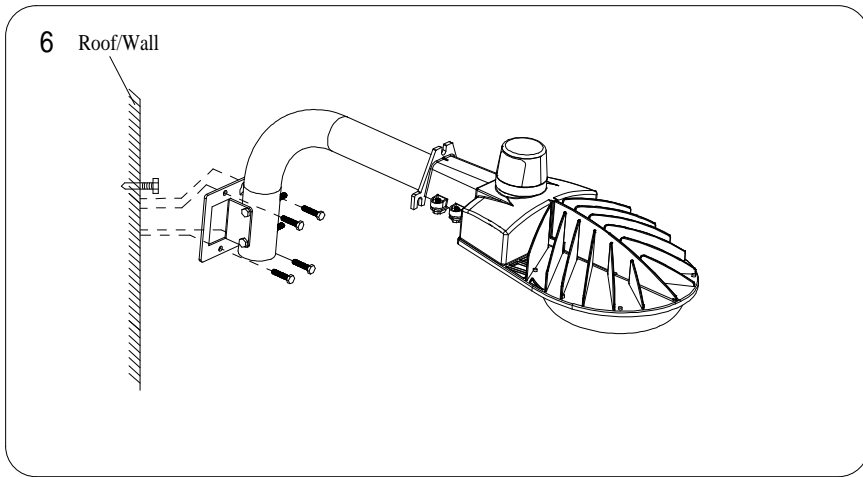
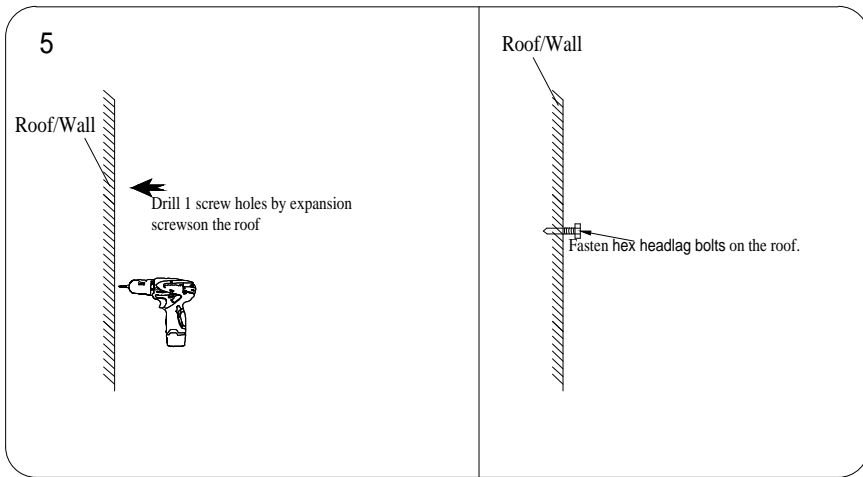
Step 3: Tighten the screws after adjusting the angle.

Step 4: Install the mounting bracket on the arm.

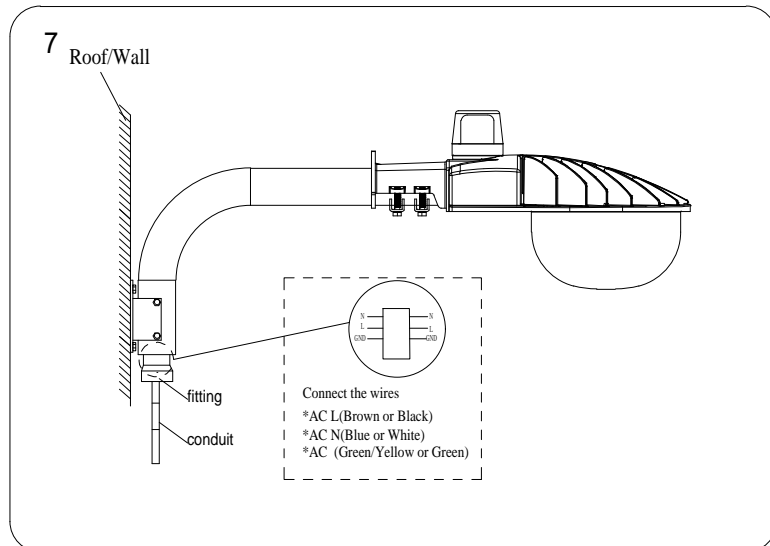


Step 5 : Drill 1 screw holes by expansion screw on the roof.

Step 6 : And anchor the 4 hex head lag bolts to the wall.



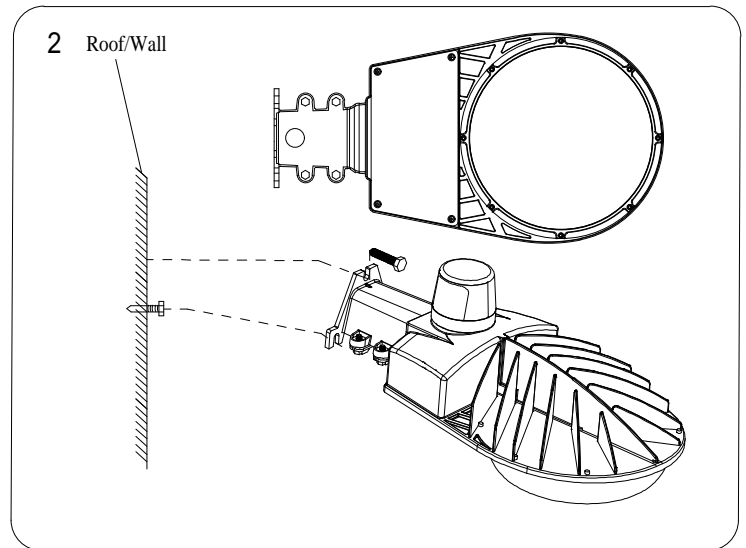
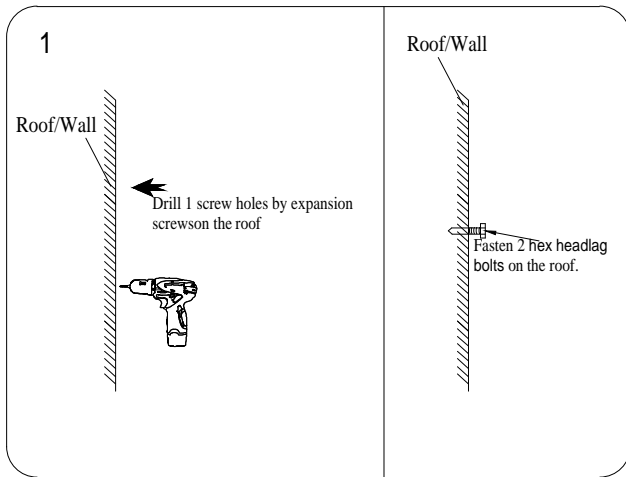
Step 7 : Wiring, connect the L,N,GND wires on the lamp to the corresponding L,N,GND cables on the conduit.



Preparation for installation of LED street light

Step 1 : Drill 2 screw holes by expansion screw on the roof.

Step 2: Anchor the 3 hex head lag bolts to the wall.



Step 3 : Wiring, connect the L,N,GND wires on the lamp to the corresponding L,N,GND cables on the conduit.

